

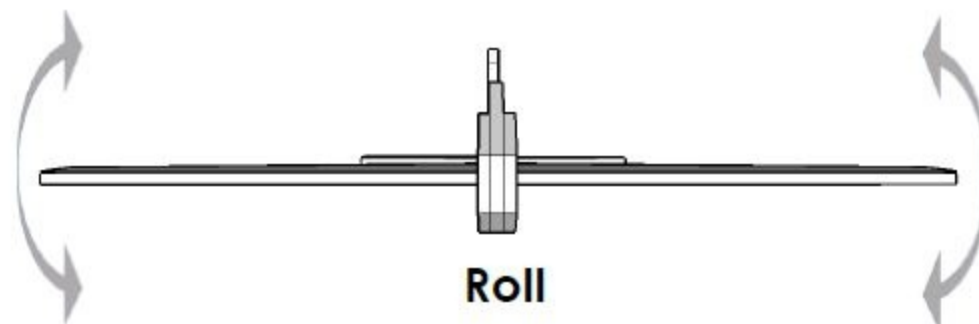


HOW A GLIDER MOVES

A glider may not fly perfectly until it is adjusted.

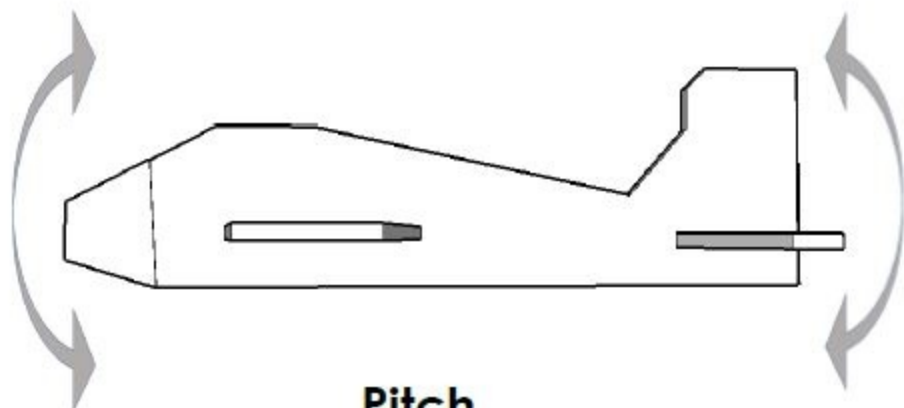
Pilots and aircraft engineers use some special words to describe how a plane moves: **Pitch**, **Roll** and **Yaw**.

You can use these words in your team or class to help describe how your glider flies or explain a flight problem.



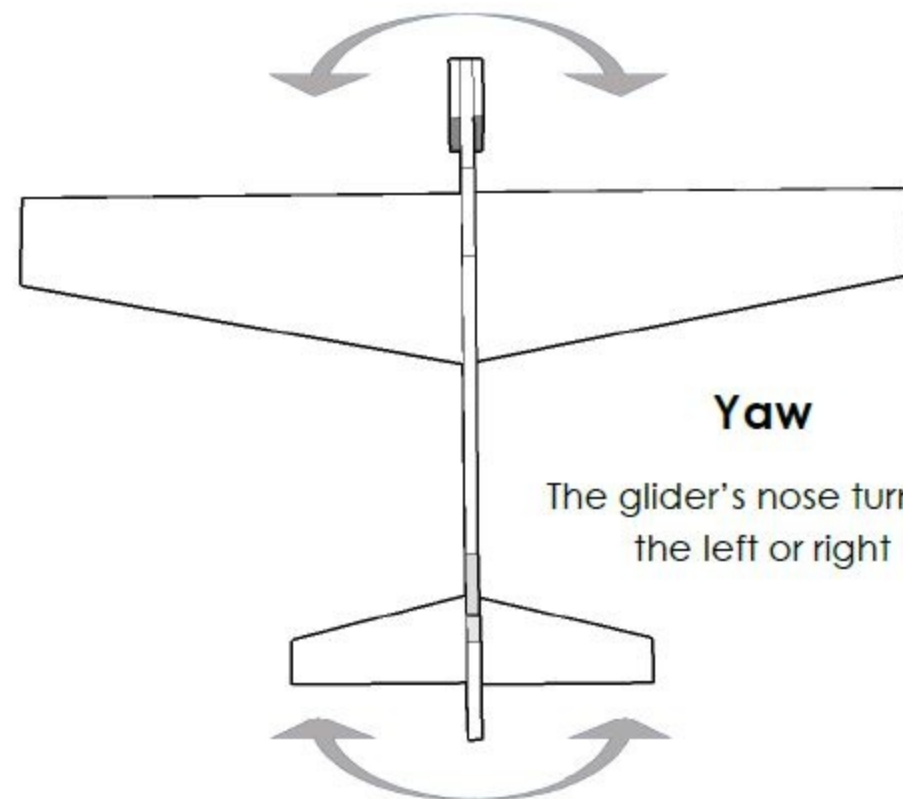
Roll

The glider twists to one side or the other



Pitch

The glider's nose dives into the ground or rises into the air



Yaw

The glider's nose turns to the left or right