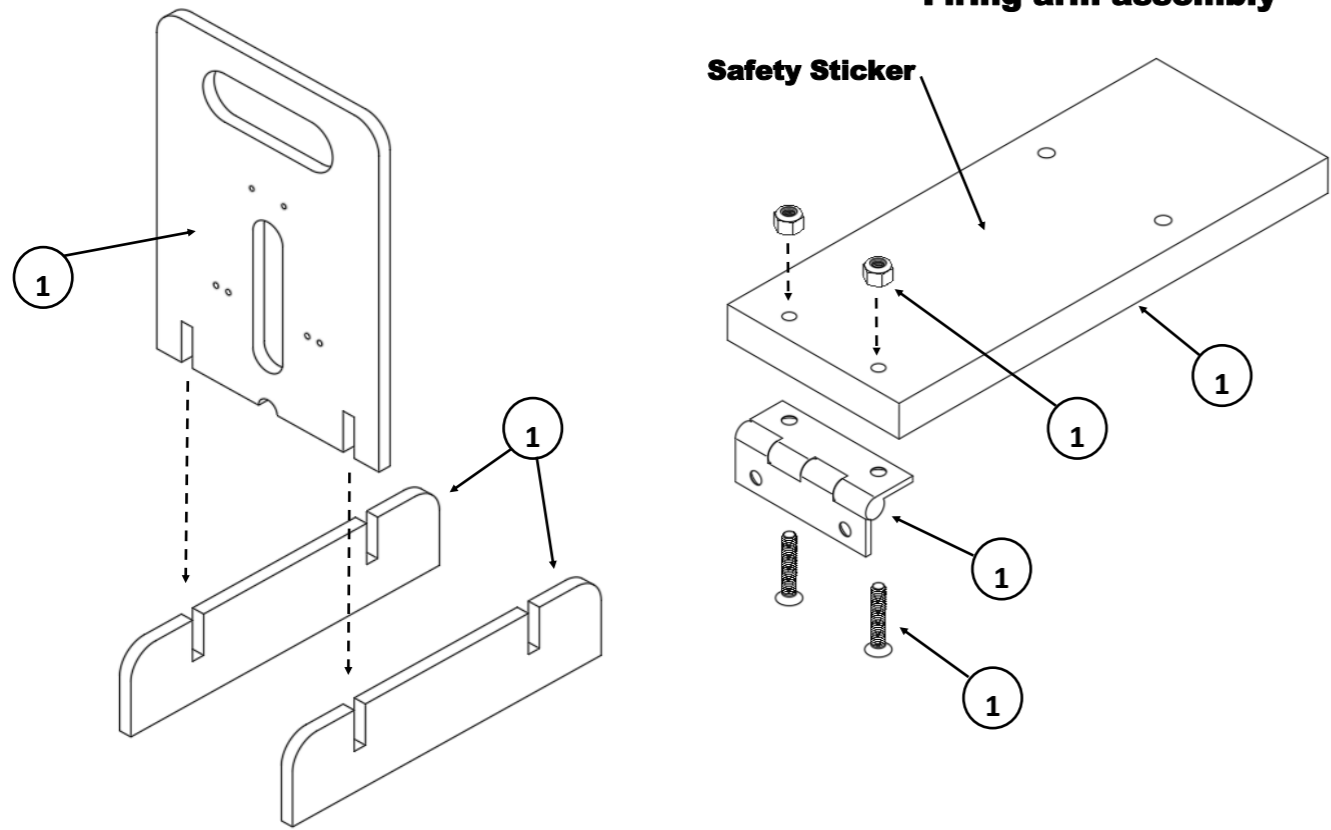
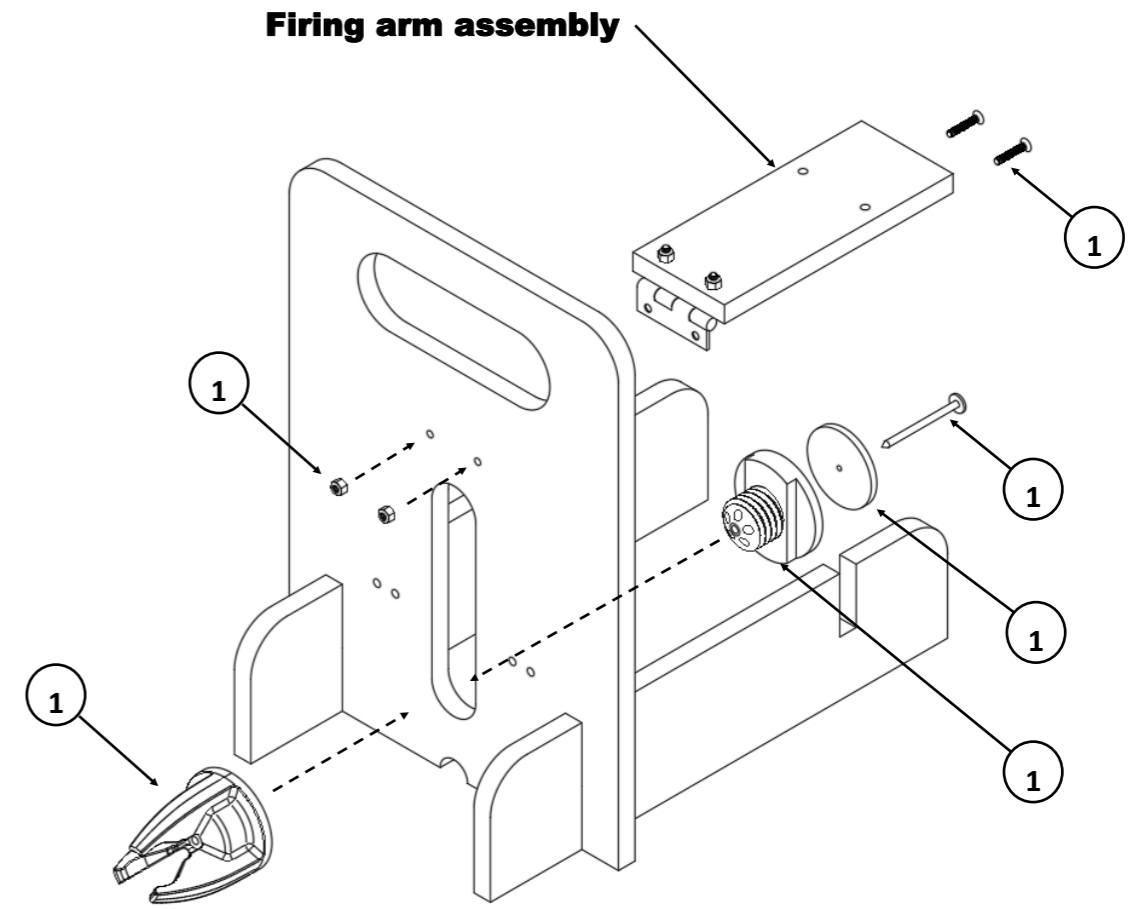


RTTL—Air Launcher Assembly Instructions

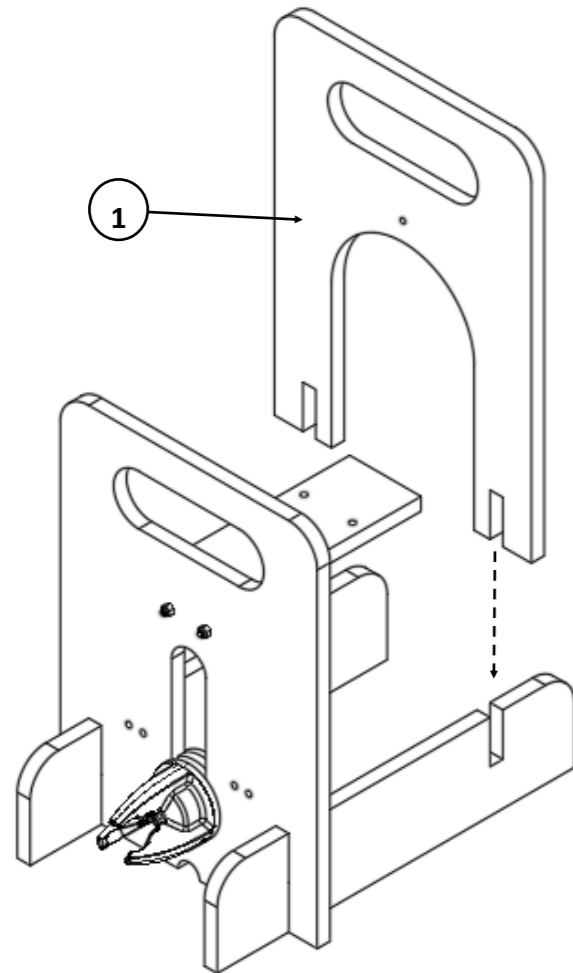
1



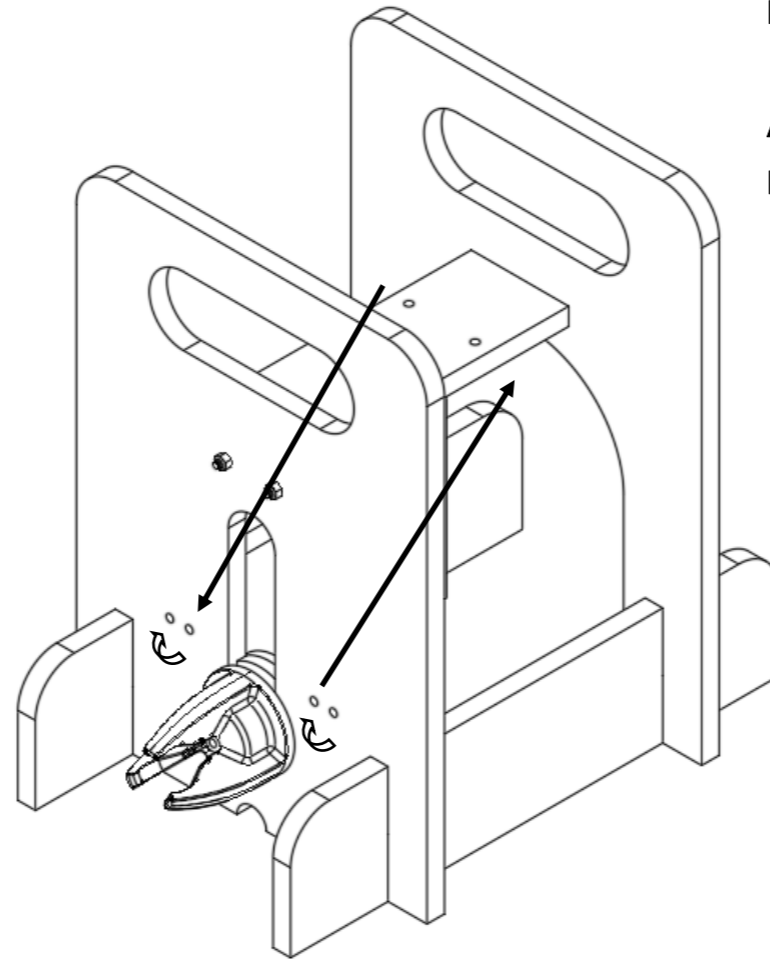
2



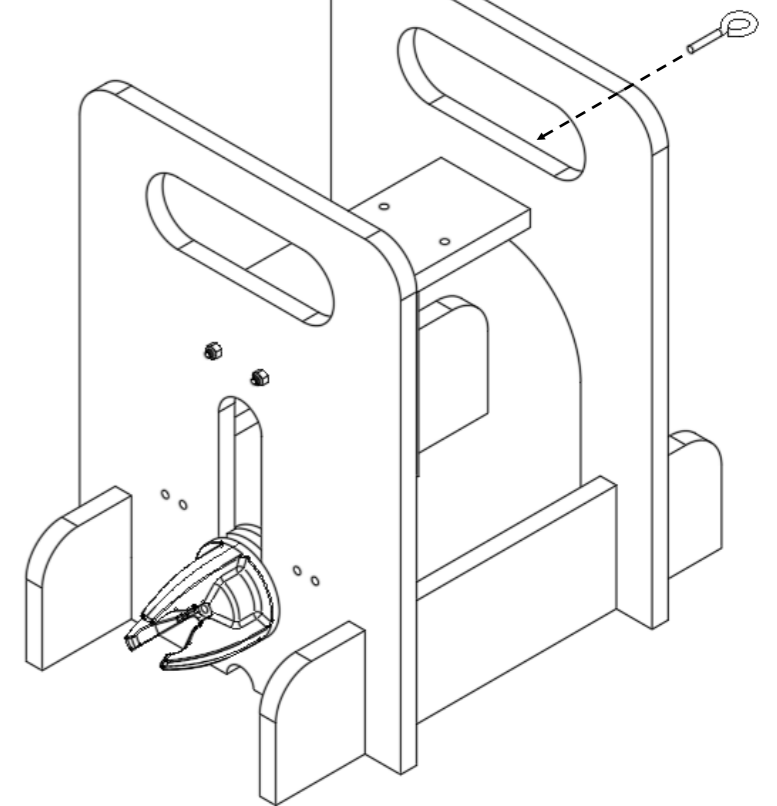
3



4



5





Blurb

Blurb

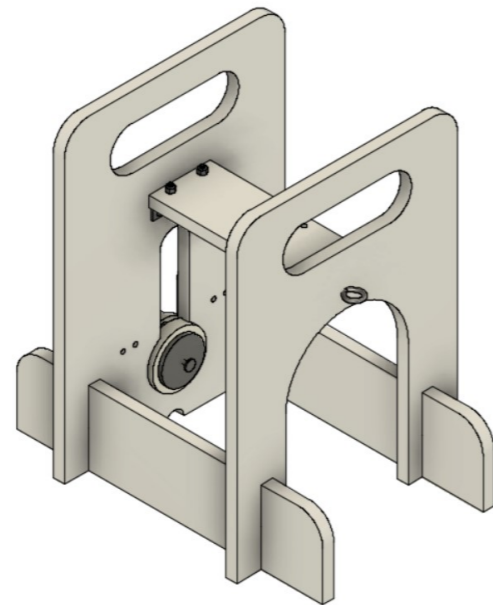
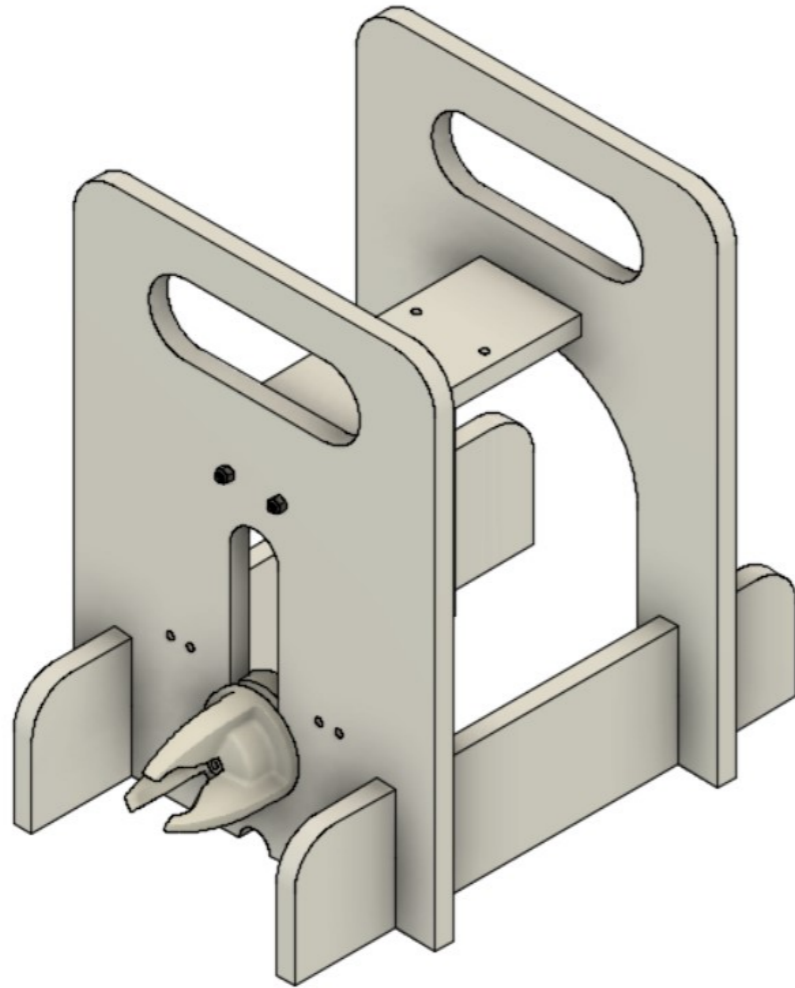
Blurb about the sanding down of the gaps from laser cutting.

Sealing the MDF, varnish paint.

Assembly of nuts and bolts.

Danger of 3D printed parts.

and bolts



Item: 1

Name: **Front panel**

Material: **9mm MDF**

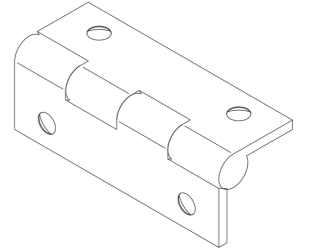
Manufacture: **Laser cut**



Item: 7

Name: **38 mm butt hinge**

Material: **Chroem plated steel**

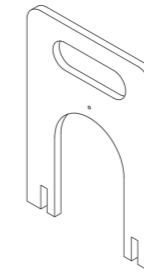


Item: 2

Name:

Material:

Manufacture: **Laser cut**

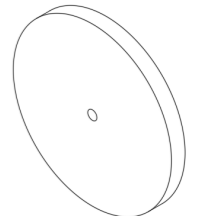


Item: 8

Name:

Material: **ABS**

Manufacture: **3D Print**

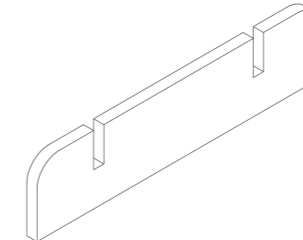


Item: 3

Name:

Material:

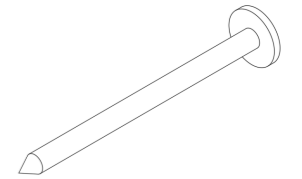
Manufacture: **Laser cut**



Item: 9

Name: **40 mm clout nail**

Material: **Galvanised steel**

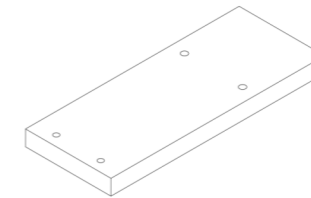


Item: 4

Name:

Material:

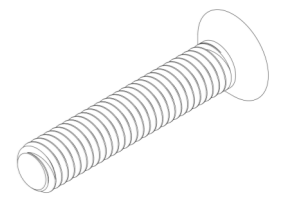
Manufacture: **Laser cut**



Item: 10

Name: **40 mm clout nail**

Material: **Galvanised steel**

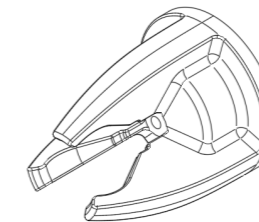


Item: 5

Name:

Material: **ABS**

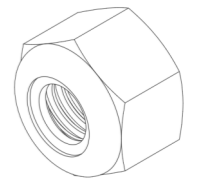
Manufacture: **3D Print**



Item: 11

Name: **40 mm clout nail**

Material: **Galvanised steel**

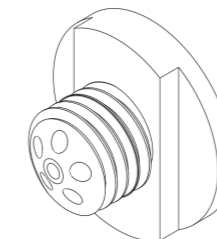


Item: 6

Name:

Material: **ABS**

Manufacture: **3D Print**



Item: 12

Name: **Shock cors**

Material: **3 mm x ??? Shock cord.**